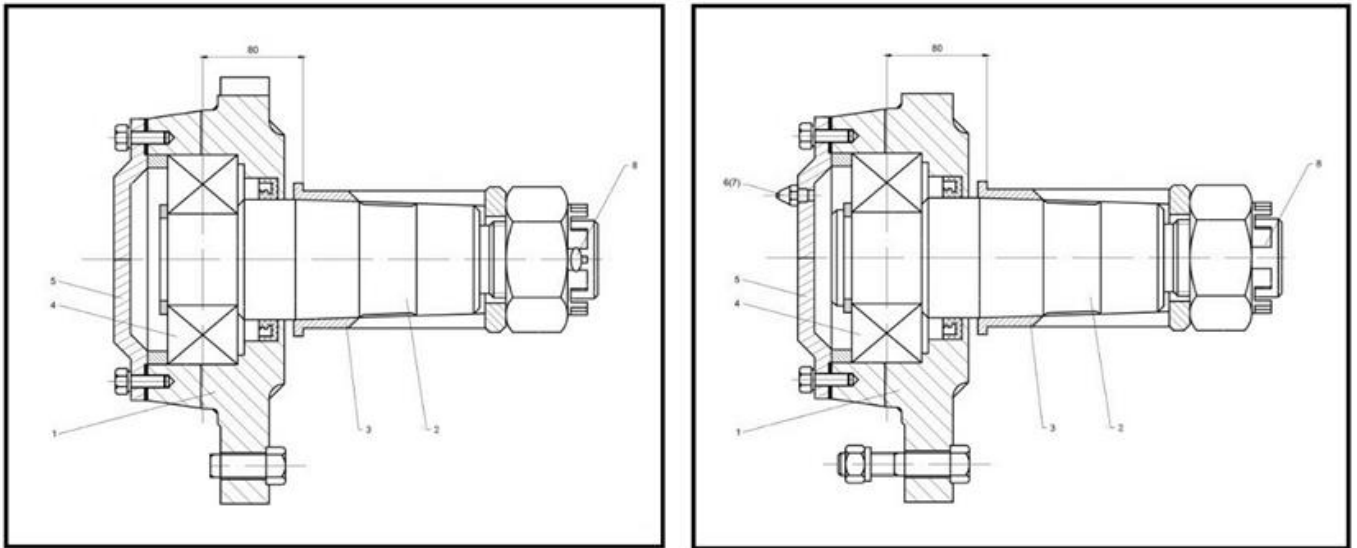




Project ILA-LEAN Number 2016-1-PL01-KA203-026293



Find 5 differences on the pictures

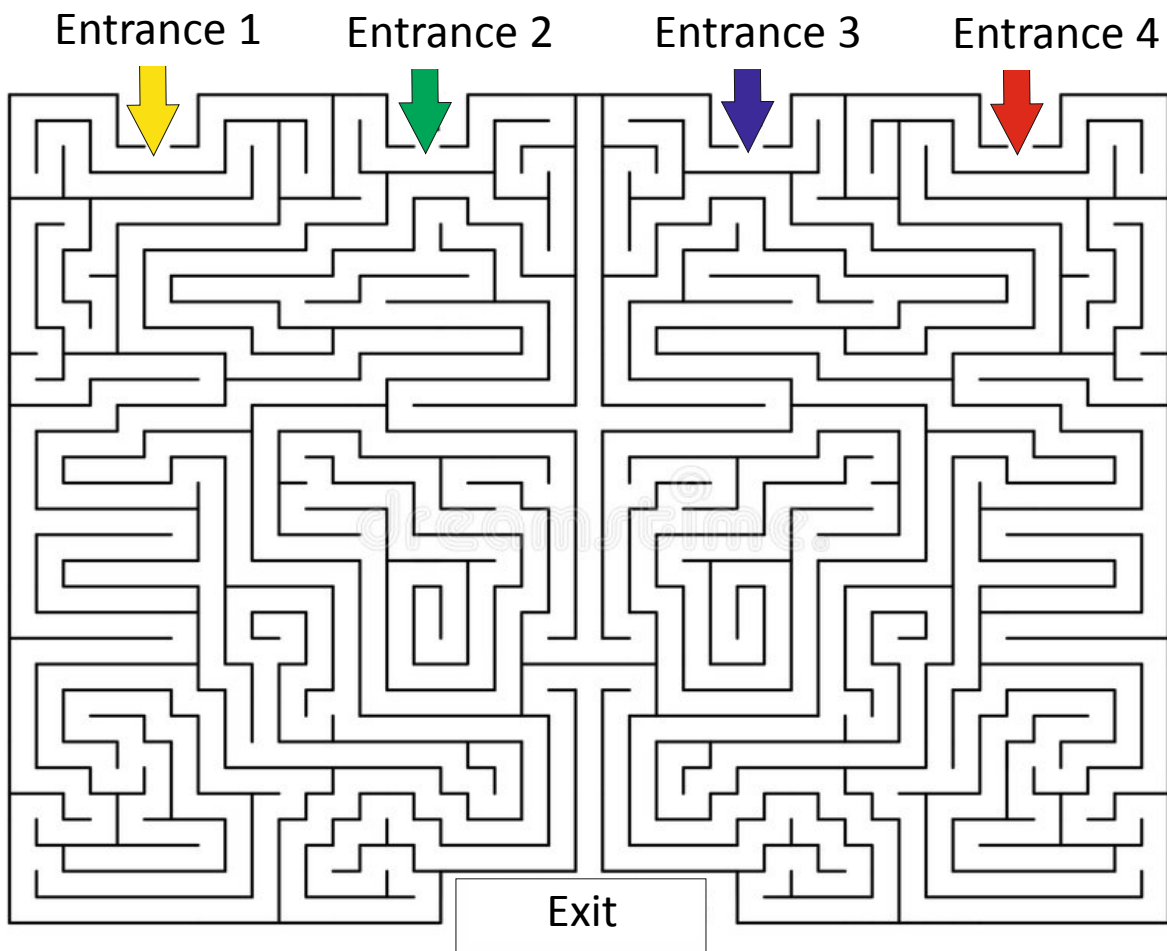


Erasmus+



Project ILA-LEAN Number 2016-1-PL01-KA203-026293

Find the entrance to labyrinth to reach the exit



Erasmus+



Project ILA-LEAN Number 2016-1-PL01-KA203-026293



Put „=” or „≠”

$$3\frac{1}{5} + \left(1\frac{1}{5} + 0,5\right) \dots \dots \dots \left(1,2 + \frac{1}{2}\right) + 3,5$$

$$\frac{2}{7} + \frac{7}{9} * 4,1 \dots \dots \dots \left(\frac{2}{7} + \frac{7}{9}\right) * 4,1$$

$$(3,7 + 4,2) * 1,5 \dots \dots \dots (4,2 + 3,7) \div \frac{2}{3}$$

$$3,1 - \left(1,1 \div \frac{5}{8}\right) \dots \dots \dots 3,1 - 1,9 \div \frac{5}{8}$$



Erasmus+



Project ILA-LEAN Number 2016-1-PL01-KA203-026293



RZESZOW UNIVERSITY OF TECHNOLOGY

Sumarize the presented values (You can use calculator)

$$3,234$$

$$2 \cdot \pi$$

$$4\frac{1}{5}$$

$$3,1415$$

$$2,013$$

$$14\frac{2}{5}$$

$$0,5 - \frac{1}{4}$$

$$\text{COS}(60)$$



Erasmus+



RZESZOW UNIVERSITY OF TECHNOLOGY



Project ILA-LEAN Number 2016-1-PL01-KA203-026293